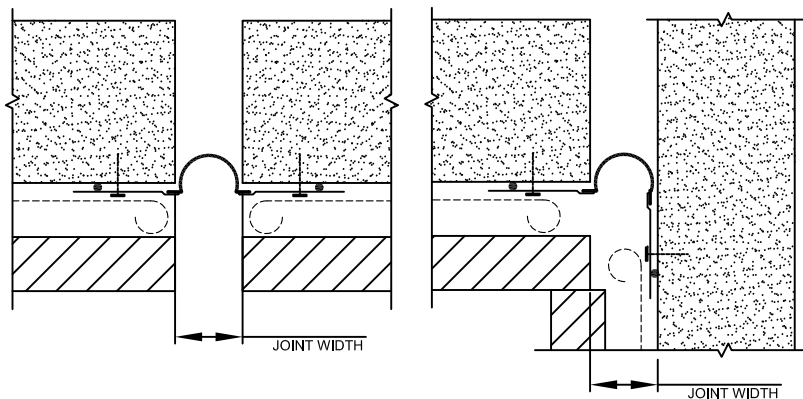
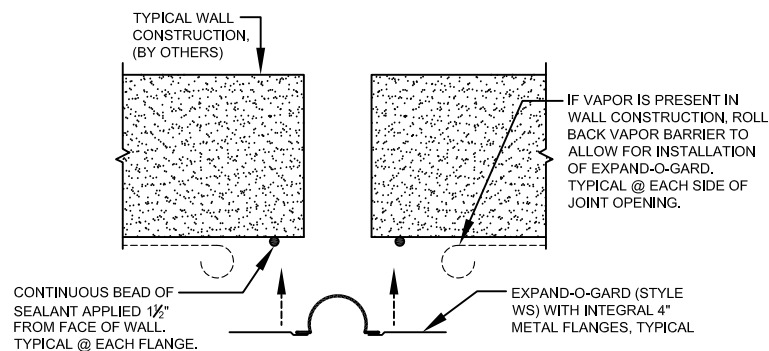


EXPAND-O-GARD WALL TO WALL; STYLE WS INSTALLATION INSTRUCTIONS

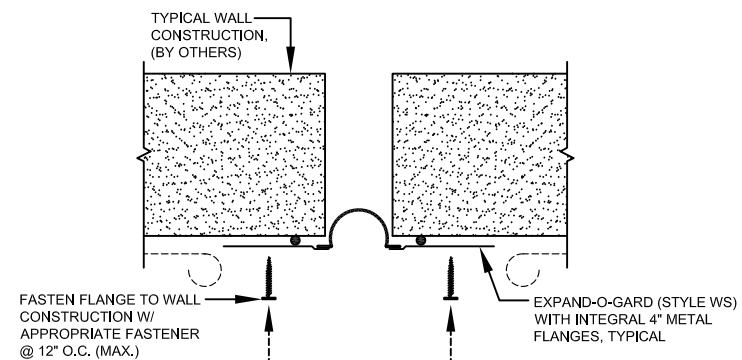


STEP 1



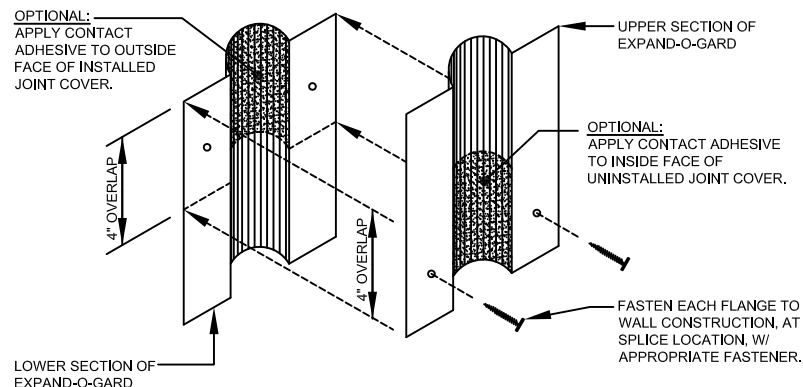
ROLL BACK WALL SYSTEMS EXTERIOR VAPOR BARRIER, IF INSTALLED. APPLY A CONTINUOUS BEAD OF SEALANT 1 1/2" IN FROM JOINT OPENING, TO WALL CONSTRUCTION. APPLY ONLY ENOUGH SEALANT FOR THE LENGTH OF JOINT COVER BEING INSTALLED AT ONE TIME. TYPICAL AT EACH FLANGE.

STEP 2



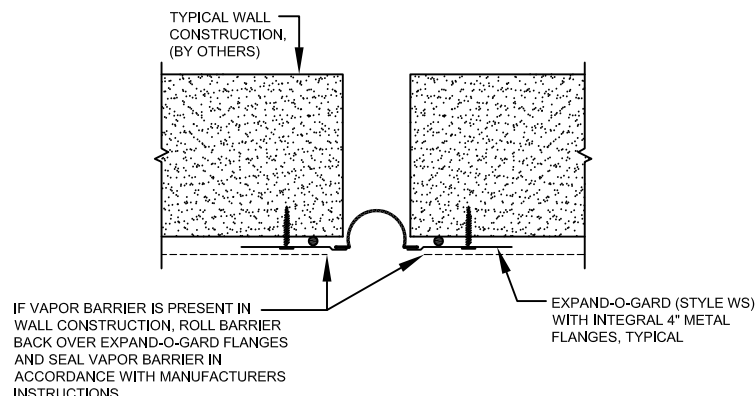
ATTACH JOINT COVER TO WALL USING APPROPRIATE FASTENERS FOR WALL CONSTRUCTION MATERIALS. INSTALL FASTENERS AT 12" O.C. VERTICALLY. TYPICAL AT EACH FLANGE.

STEP 3



STANDARD SPLICE INSTALLATION REQUIRES OVERLAPPING THE TWO MEMBERS BY 4 INCHES, WITH NO ADHESIVES REQUIRED. AS AN ADVANCED INSTALLATION, COAT THE OVERLAPPING BELLOWS WITH CONTACT ADHESIVE. ALLOW THE ADHESIVE TO DRY UNTIL IT IS NO LONGER WET TO THE TOUCH. PRESS THE TWO BELLOWS TOGETHER TO ADHERE.

STEP 4



IF VAPOR BARRIER IS PRESENT IN WALL CONSTRUCTION, ROLL VAPOR BARRIER BACK OVER EXPAND-O-GARD METAL FLANGES AND SEAL VAPOR BARRIER TO EXPAND-O-GARD FLANGES IN ACCORDANCE WITH VAPOR BARRIER MANUFACTURERS INSTRUCTIONS.

INSTALLATION INSTRUCTION NOTES:

- INSTALL ALL FACTORY FABRICATED INTERSECTIONS AND TRANSITIONS FIRST. FOLLOW THE APPROPRIATE STEPS INCLUDED WITH THE INSTALLATION INSTRUCTION FOR THE EXPAND-O-FLASH ROOF EXPANSION JOINT COVER.
- INSTALLATION OF EXPAND-O-GARD SHOULD BEGIN AT THE FOUNDATION AND MOVE UPWARD, IN ORDER TO ENSURE PROPER WEATHER TIGHT SPLICES. SEE STEP 3 FOR ADDITIONAL INFORMATION.
- IF AN ADVANCED INSTALLATION METHOD IS REQUIRED FOR EXPAND-O-GARD SPLICES, ADHESIVE AND URETHANE SEALANT CAN BE PROVIDED BY JOHNS MANVILLE AT AN ADDITIONAL COST.
- FASTENERS ARE THE RESPONSIBILITY OF THE INSTALLING CONTRACTOR. FASTENER SHOULD BE RUBBER GROMMETTED OR EMBEDDED IN SEALANT TO PREVENT WATER PENETRATION.
- THE BUILDING SURFACE TO WHICH THE EXPAND-O-GARD IS TO BE INSTALLED SHOULD BE SMOOTH, CLEAN AND FREE OF ANY DIRT AND DEBRIS.

| | | | |
|-----------------------------------|--|-----------------------|-------------------|
| DRAWING NO. INST-EOG-WS | SCALE NTS | ISSUE DATE 5/14/12 | REV. NO. ----- |
| PAGE 1 | CAD FILE: EOG INSTALLATION INSTRUCTIONS.DWG | | |

EXPAND-O-GARD (STYLE WS) INSTALLATION INSTRUCTIONS

Johns Manville is a Manufacturer of commercial roofing products and offers this general conceptual information to you as a courtesy. This complimentary assistance is not to be used or relied upon by anyone as a substitute for professional engineering design and documentation required by building code, contract, or applicable law. By accepting these comments you agree they do not constitute any representations, endorsements of, or an assumption by Johns Manville of any liability for either the adequacy of the design of this building or any other material not supplied by Johns Manville.

